

# Water Wonderful Life



## UrSpring

Seccua UrSpring. Take control over your water quality at home.

Crystal-clear and safe drinking-water from every tap in your house. The new UrSpring cleans itself intelligently, only when required, and does not interrupt the water supply when water is used.

Whole-house water safety at an unbelievable price.

### Highest Removal Performance

The UrSpring Ultrafilter removes bacteria, cyst and parasites from your water (see information on the backside for detailed info on removal performance) through a natural filtration process: Due to its Ultra-fine filter pores, of which not one is larger than any bacteria or parasite, such pathogens are removed from any water source without residuals or chemicals.

### Removes turbidity and iron

No matter how much turbidity, rust or other particles are delivered into your home water system from either your municipal supply or your well: Your UrSpring system will remove all such particles completely, leaving clear and fresh drinking water. It also contributes significantly to a clean and hygienic in-house piping system.

### Keeps E-Coli out of your drinking water

Every single Seccua UrSpring unit has been tested for full removal capability of E-Coli before it leaves our factory. Ground-breaking functions of the unit help to minimize filter damage during operation, so your UrSpring maintains highest E-Coli reduction capability throughout its entire filter-life.

### UV pre-treatment, better than ever

Not only does the UrSpring remove turbidity and reduce bacteria and parasites to a large degree, but due to its fully automated filter-cleaning it also offers the most effective pre-treatment to downstream disinfection technologies like UV or chlorination - at lower operating cost than conventional cartridge filtration.

### Helps to reduce disinfection by-products

Disinfection by-products are created when disinfection chemicals react with organic matter in the water, such as virus, bacteria, parasites, but also dissolved organics like true color, typically made up from putrifying leaves, grass or wood. Seccua UrSpring removes all particulate organic matter and up to 10% of true color and therewith helps to reduce disinfection by-products effectively.

### Easy to install, compact and efficient

Seccua UrSpring systems incorporate more power than any small-scale Ultrafiltration-system available: Up to twice the filter surface offer ultra-low required driving pressures, help to save energy and deliver more water for best-available comfort.

### Go Green!

Without any additional equipment required, the system can be connected to solar power supplying 12 VDC. Its ultimate low power consumption of only 1,5 W during filtration gives it a superior advantage over disinfection technologies like UV, using often more than 97% less energy than small UV disinfection systems. Furthermore Seccua offers a unique recycling program for its filter elements, helping you to act more sustainable.



www.seccua.com  
Europe +49 8862 911720, North America +1 647 500 5064

  
**seccua**<sup>®</sup>  
Solutions for better living.

# Water Wonderful Life

## Performance Data

Filtration Performance <sup>1</sup>	
UrSpring i3	4-Person-Household
UrSpring i6	6-Person-Household
Removal performance	
Virus (MS2 Phage) <sup>2</sup>	>99,99% (>4.7 log tested)
Bacteria (B. Subtilis, E-Coli) <sup>2</sup>	>99,99% (>4.9 log tested)
Parasites (Crypto) <sup>2</sup>	>99,99% (>4.7 log tested)
Water consumption during flushing	typically less than 2%

<sup>1</sup> Filtration performance depends on water quality and temperature. Please design carefully before deploying a UrSpring system and consult with Seccua Authorized System Partners for advise if required.

<sup>2</sup> Virus and Bacteria removal of the Ultrafiltration membrane was measured by US EPA against EPA Standards for Ultrafiltration systems used on surface water filtration on a new membrane. The tests have been carried out using a Seccua Virex Pro unit which uses the same filter elements than the UrSpring systems. Removal performance can decrease over time, caused by membrane damage, without the UrSpring system being able to determine such decay.

## Operating Conditions

Max. operating pressure	5 bar (75 psi)
Max. operating temperature	40 °C (104 °F) optional 80 °C (176 °F)

## Operating Modes

Filtration	Maximum performance at an approx pressure loss of 1 bar (14,5 psi)
Cleaning method	Flushing by interval-, time of day- or fouling.
Maximum $\Delta p$ inlet to filtrate	2,5 bar (36 psi)

## Programming

Cleaning Mode	Time-of-day (standard) Dependent of filter-fouling (option)
Language	English or German
Displayed Units	Metric or US
Flush when flow	Filter flush can be disabled when system recognizes water usage

## Power supply

Voltage <sup>4</sup>	12 V DC, 110 V AC, 230 V AC
Power consumption during filtration	approx. 1,5 W
Power consumption during cleaning	max. 5,4 W (typically <sup>5</sup> daily for 20 s.)

<sup>4</sup> Units are shipped with US, German and Chinese power-adaptors. Other country-specific equipment is available upon request.

<sup>5</sup> The cleaning frequency depends on the contamination of the raw water and may vary. The power requirement of the pumps is not included in the consumption data.



Burnaby: (604) 630-1114  
Victoria (250) 412-1110  
Courtenay (250) 331-0888  
[www.watertiger.net](http://www.watertiger.net)

**WATERTIGER**

## Approvals

NSF 61, DVGW KTW, CE, VDE  
Tested by US EPA for removal of Parasites, Bacteria and Virus



## Options

Membrane Protection Package  
Additional sensors to monitor the pressure inside the unit. The unit then releases occurring over-pressure through its drain valve.

## Weights and Dimensions

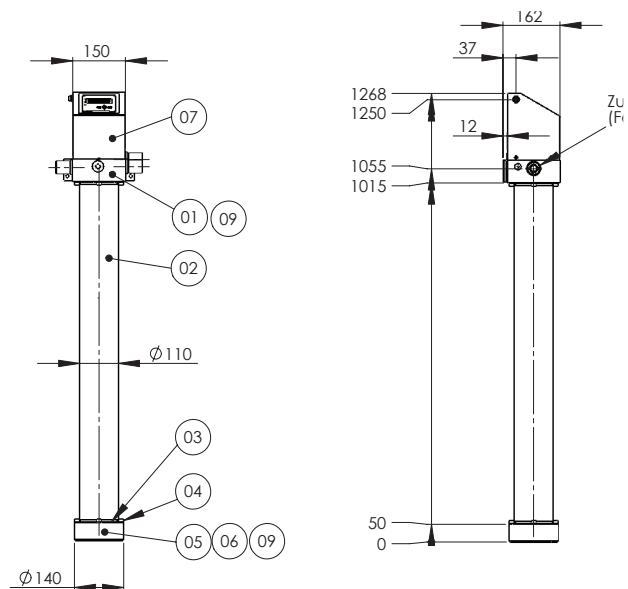
Width	150 mm (5.9 in.)
Depth	162 mm (6.4 in.)
Height	1268 mm (49.9 in.)
Weight (dry)	12 kg

## UrSpring Biofilter



Pre-filtration unit for UrSpring i3 or i6. Removes taste, odor and color from the water.

Filtration performance: 6-person-household  
Removal Performance: Removes taste, odor, color. Significant reduction of endocrine disrupting chemicals, pesticides, residuals of medication (please ask your Seccua Sales Rep for detailed information)  
Connections: Quick-Connect couplings for 3/4" pipe.



Seccua, UrSpring, Water Wonderful Life and the Seccua logo are registered trademarks of Seccua GmbH, Germany.

Seccua believes the information and data contained herein to be accurate and useful. The information and data are offered in good faith but without guarantee as conditions and methods of use of our products are beyond our control. Seccua assumes no liability for results obtained or damages incurred through the application of the presented information and data. In particular the removal rate for viruses and bacteria shall not be considered as assured performance characteristics. It is the user's responsibility to determine the appropriateness of Seccua's products for the user's specific end uses.



**seccua**  
Solutions for better living.